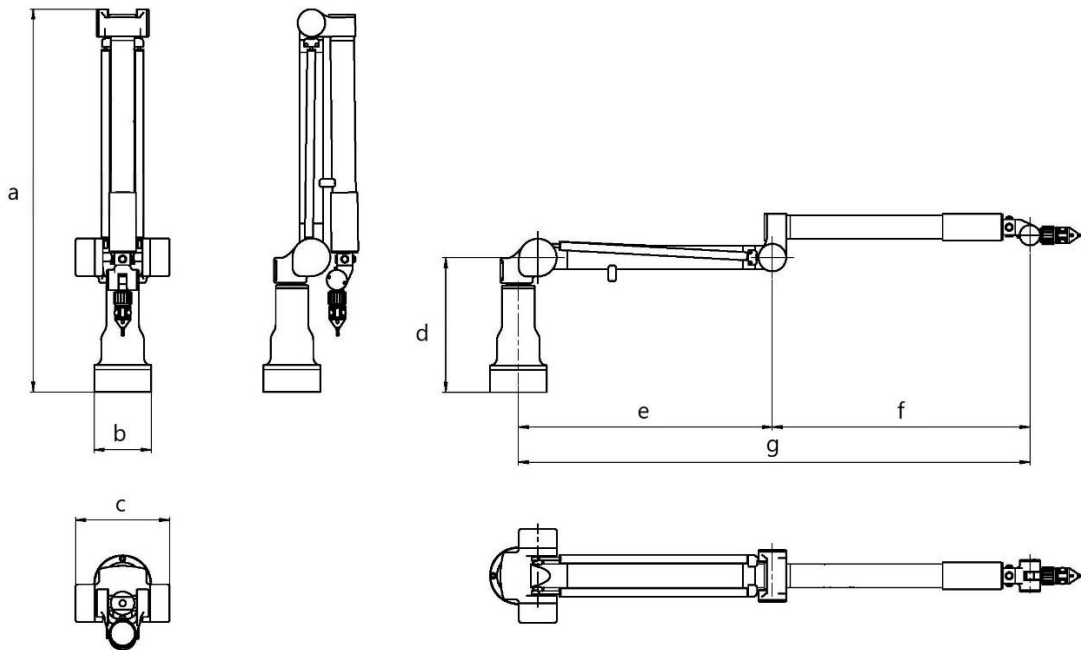


Arms Dimensions

The TOMELLERI Arms cover the widest range of measures in the market, from the 1.3 m of the MERCURY line up to the 9 m of the EXPLORER line. All of this without compromises on the reliability nor the accuracy

SPACE Plus and EXPLORER

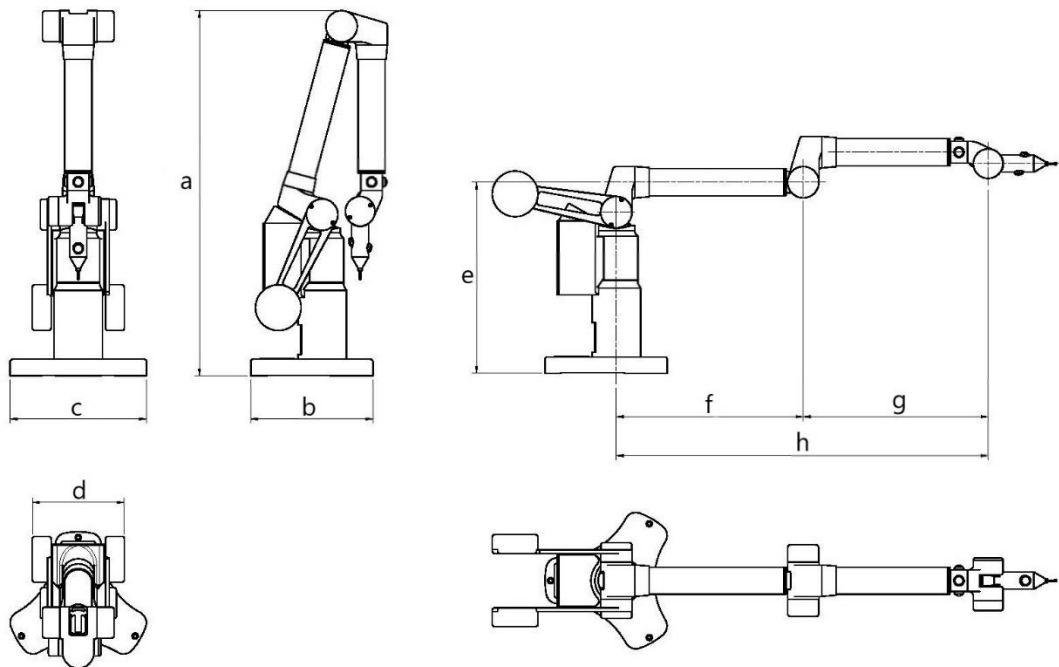


	DIMENSIONS (mm)							WEIGHT (kg)	
	a	b	c	d	e	f	g	6ax	7ax
SPACE Plus									
1800	768	Ø140	231	332	450	460	910	8.4	8.9
2500	943	Ø140	231	332	625	635	1260	8,9	9.4
3200	1118	Ø140	231	332	800	810	1610	9.3	9.8
4000	1318	Ø140	231	332	1000	1010	2010	10	10.5
EXPLORER									
5000	1568	Ø140	231	332	1250	1260	2510	12.5	11
7000	2055	Ø140	231	332	1737	1763	3500	14	14.5
9000	2555	Ø140	231	332	2237	2263	4500	16.5	17

All the dimensions for SPACE Plus are equal for SPACE models, weights included. The same dimensions are also used for the TUBO arms, for pipes inspection.

MERCURY

The first TOMELLERI Arm with a mass counterbalance for a completely new handling experience



	DIMENSIONS (mm)								WEIGHT (kg)
	a	b	c	d	e	f	g	h	
MERCURY									
1300	639	214	239	161	334	327	323	650	9.5
1800	760	214	239	175	334	452	448	900	10.4



ALL the TOMELLERI Arms are MADE in ITALY