



MICRON

The most accurate Portable Arm

The MICRON has a unique conceptual design for the accurate measuring of pieces having small and medium dimensions, with an easy access all around the piece, to the lateral sides and the upper side.



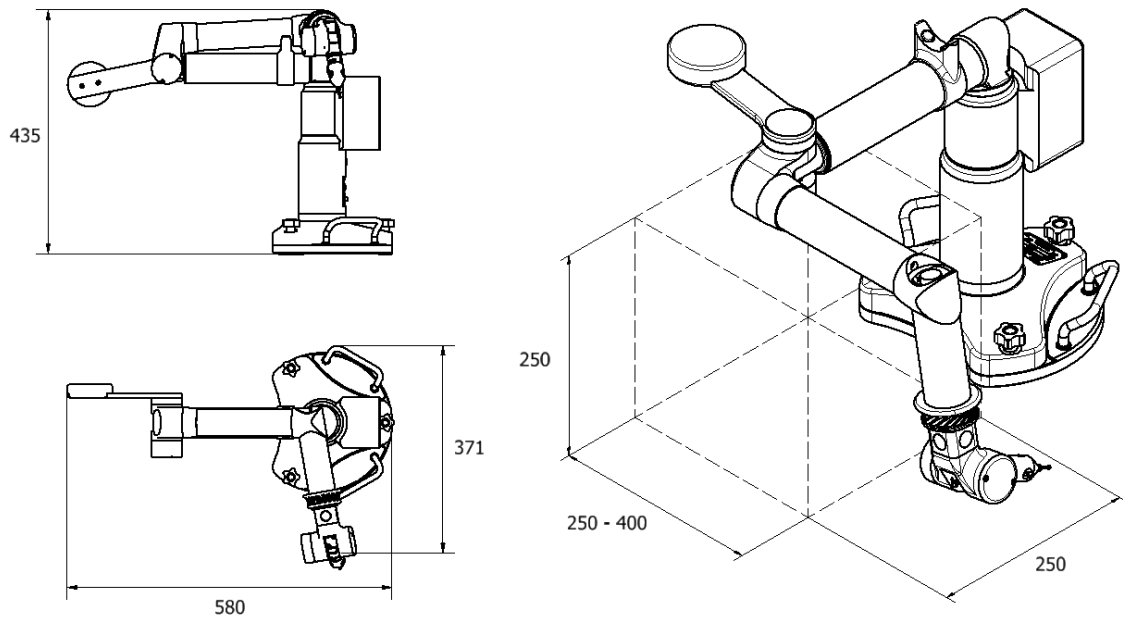
UNIQUE APPROACH POSITION To reach the highest accuracy the exclusive concept of MICRON arms makes unique the position and the direction of the probe during the measuring session. The measure of a diameter, or the center of a hole, is only possible from a unique orientation with a unique position of the arm: this allows to obtain the best accuracy and repeatability possible for a portable instrument.

ZERO WEIGHT BALANCE Light-weight and extremely easy to handle, the MICRON has a mass counter-balance that makes the movements of the axes extremely smooth. The operator holds the probe and guides the arm only supporting few grams of weight. Thanks to the perfect balance the measures are done without any load applied on the probe and on the piece, ensuring the best results for quality control or any other process where a touch probe control is necessary.

IDEAL ACCESSEABILITY ALL AROUND THE PIECE The particular design of the MICRON arms allows to access the piece all around its outline like no other CMMs can do, assuring an easy access with a unique configuration. It's the perfect equipment for touch probe inspections when the easy-use and the high precision are required, quick and within a hand's reach.

	Measuring range (mm)	Volumetric Accuracy ¹ (μm)	Point Repeatability ¹ (μm)	SPAT ¹ (μm)
SPM5025 MERCURY 250	250x250x250	$4 + L/60 \leq 8$	5	8
SPM504S MERCURY 400S	400x250x250	$5 + L/60 \leq 11$	7	8

1. Error: 2 sigma (2σ)



Layout for MICRON 250 (SPM5025) and MICRON 400S (SPM504S)

POWER SUPPLY	100-240V / 50-60 Hz
PROTECTION	IP 54
OPERATING CONDITIONS	+10° - +40° ; Humidity 90% without condensing
CONFORMITY	In compliance with CE



MICRON in home position

The arms are certified with the Standard ISO 10360-2 using a proprietary software and certified instruments, and are available with Autojoint and with wireless option.