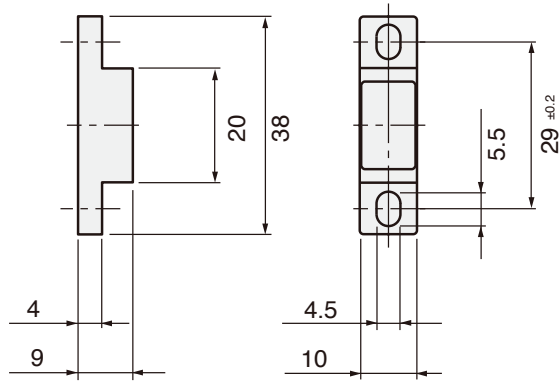
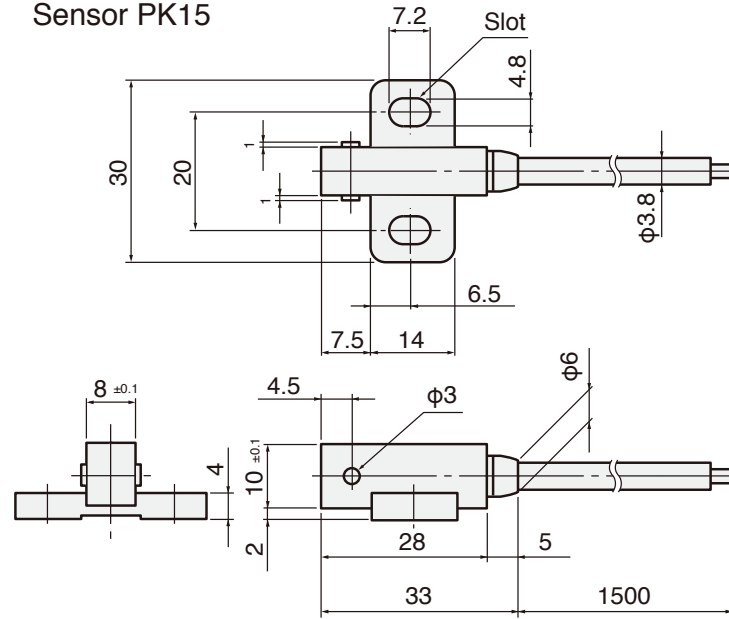


SET-P15

Magnet PG-104(PG-10)

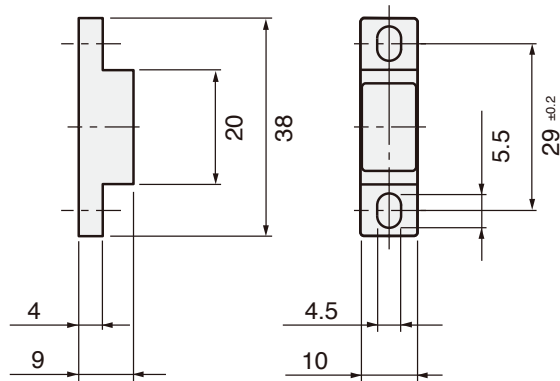


Sensor PK15

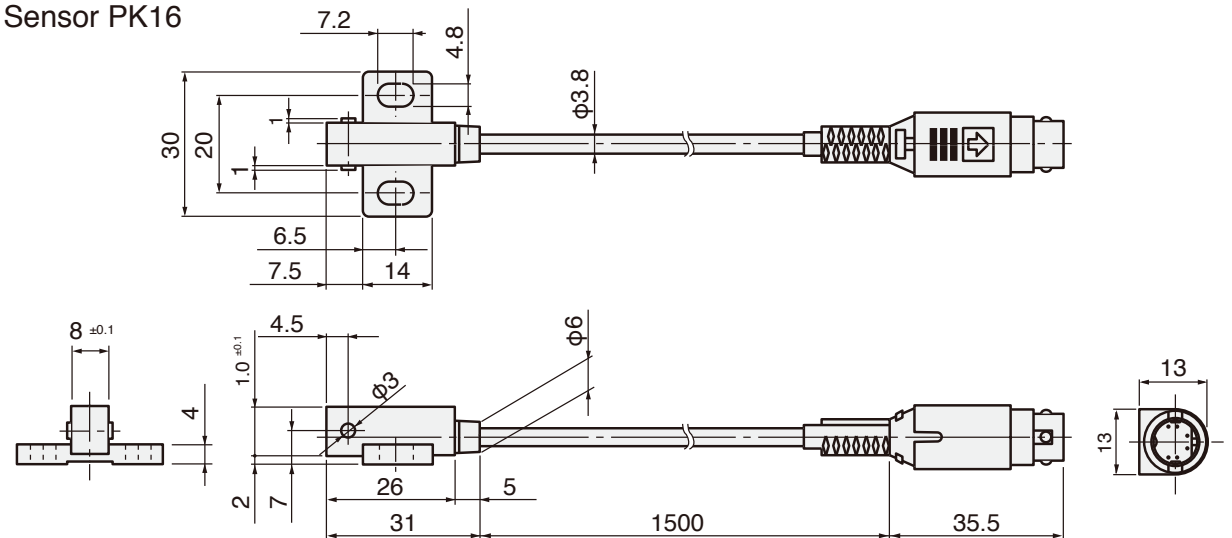


SET-P16

Magnet PG-104



Sensor PK16



Unit: mm