

IMT/IDT5W

Industrial Series LVDT

Product Name: IMT/IDT5W

Product Type: LVDT

Origin: UK

HS Code: 90318020

Connectors: Stainless steel M8 rod end bearings

Material: Heavy duty stainless steel, magnetically shielded

Construction: Non-captive guided core & extension



Specifications

Model	IMT/IDT5W
Measuring stroke	±5.00mm
Input Voltage	5V RMS @ 3kHz
Sensitivity	9.40 mv/V/mm
Non-Linearity	±0.5% of full range, <i>(higher specification optional)</i>
Repeatability	Better than 0.1%
Frequency Response	3dB @ 180Hz <i>(dependent on conditioning unit)</i>
Current Range	0.5mA - 8mA
Temperature Range	<ul style="list-style-type: none">-30°C to + 85°C <i>(standard model)</i>-30°C to + 150°C <i>(high temperature model)</i>-30°C to + 250°C <i>(very high temperature model)</i>
Vibration Resistance	20g up to 2kHz
Shock Resistance	1000g for 10 milliseconds
Coil Impedance	600Ω + 100Ω <i>(3kHz)</i>

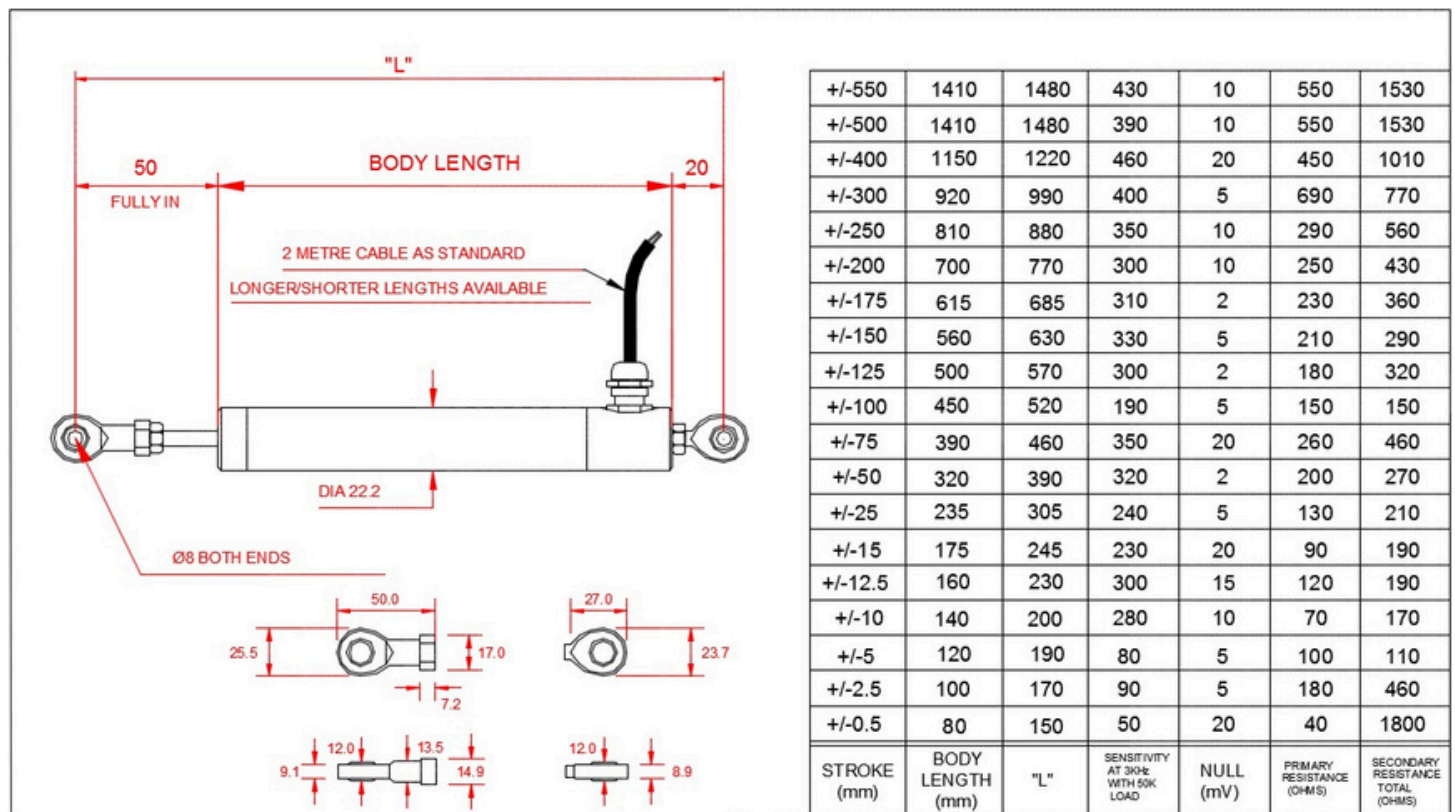
Innovative Measurement Technology Limited.
Unit 3E Vinnetrow Business park
Chichester, West Sussex,
PO20 1QH, United Kingdom

Email: sales@imeasure.co.uk
Tel: **+44 (0) 1243 942010**
Web: www.imeasure.co.uk

IMT/IDT5W

Industrial Series LVDT

Model	IMT/IDT5W
Insulation Resistance	Above 10MΩ at 500VDC (<i>between wires and case</i>)
Dielectric Strength	500V RMS for one minute (<i>between wires and case</i>)
Magnetic Shielding	Internal magnetic shielding
Sealing	IP68
Construction material	Stainless Steel (<i>optional SS316</i>)
Cable	4 core PTFE cable, radial exit (5m, 10m, 15m)
Connection Details	Yellow: Primary +ve Black: Primary -ve Brown: Secondary +ve Green: Secondary -ve
Body Length	120mm
L	190mm



Innovative Measurement Technology Limited.
Unit 3E Vinnetrov Business park
Chichester, West Sussex,
PO20 1QH, United Kingdom

Email: sales@imeasure.co.uk
Tel: +44 (0) 1243 942010
Web: www.imeasure.co.uk