

Next generation high speed data acquisition system

> **LT80** | Intelligent multi measurement station

> **MG80**

> **LZ80** series



Clear and easy to use HMI functions

- 7-inch touch screen LCD display (1024x600)
- Displays I/O status, add/sub results and measurement modes (Current value, Min, Max, P-P)
- Multilingual support (Japanese, English, German)
*Additional languages coming soon

Expandable multi-axis measurement module system

- Connect up to 32 Magnescale DK- or DT-series gauges (via MT adaptor)
- Wide variety of measurement applications with multiple I/O functions
- Allows for defective part identification, trend management, part sorting and tolerance judgement by 2 or 4 stage comparator function

3 different interfaces allow for data transfer and parameter setting

- Data is transferred to PC via Ethernet
- Data storing and Parameter writing in SD card/USB memory

Flexible installation

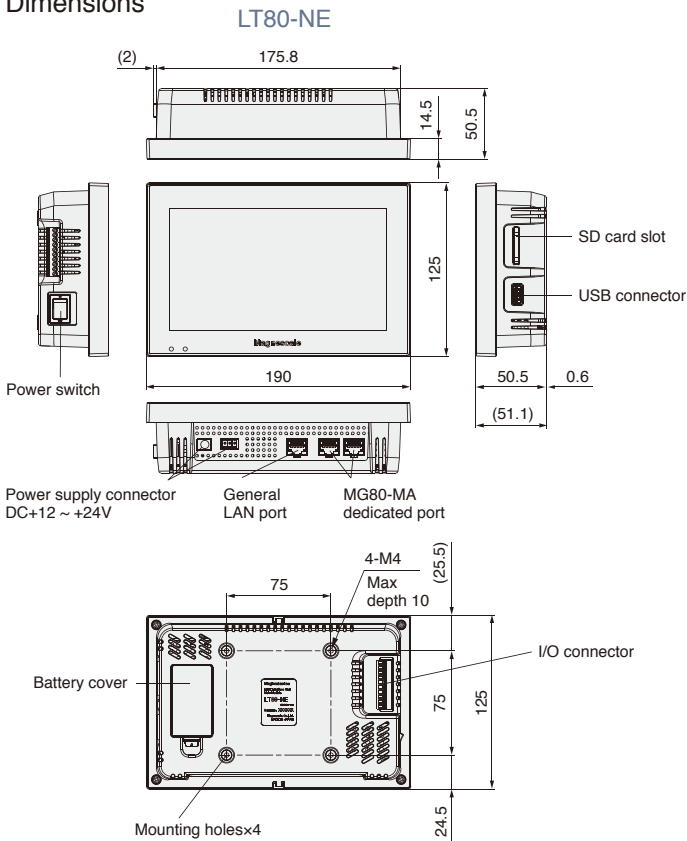
- LT80 available with panel mount or VESA-compatible display stand
- DIN rail mount for easy installation (MG80 and LZ80)
- 20m maximum between MG80 modules and LT80 display via Ethernet cable

Main specifications

Display unit	LT80-NE	
Power consumption	14W or less	
Maximum connectable units	4 units of LT80-MA*1	
Measurement screen	Measurement display	Display measurement values of 2, 4, 6, 8 or 16 channels, Alarm display, Comparator group, Measurement mode, Measurement bar graph, Reset, Preset
	I/O information	I/O condition monitoring (All I/O of device and module)
Setting menu	Measuring unit setting	Resolution, direction, with or without reference point connected to MG80-CM
	Display setting	Measurement display Set number of display: 2, 4, 8, or 16ch
	Measurement mode	Measurement mode setting of each channel (current, MAX, MIN, P-P)
	Comparator value setting	8 groups with 2 stages, or 8 groups with 4 stages per channel Default setting of each CH
	I/O setting	I/O function assignments of LT80-NE, I/O function assignments of connected LZ80-K, Reference point detection, Reset, Preset, Comparator output, Alarm, Reference point passed, Each channel address, Change measurement mode
	Calculation	Maximum of 16 combinations of add/subtract calculations per MG80-MA module
Maintenance display	Main body information, Service usage (Software update for LT80 and MG80)	

*1 When using LINK function of MG80-MA dedicated port and MG80-MA

Dimensions



Main module	MG80-MA1/MG80-MA2
Power consumption	2.4W or less
Maximum connectable units	(16) MG80-CM, (2) LZ80-K*1
I/O	7-pole connector Photo coupler insulated 4 input, 1 output MG80-MA1: Current sinking type MG80-MA2: Current source type
Interface connector	For data: RJ45 x 2 (shielding compatible)
Communication protocol	100BASE-TX
Transmission speed	100 Mbit/s
Maximum cable length	20m (CAT5e shielding type recommended*2)
Setting menu	Rotary switch for setting unit number

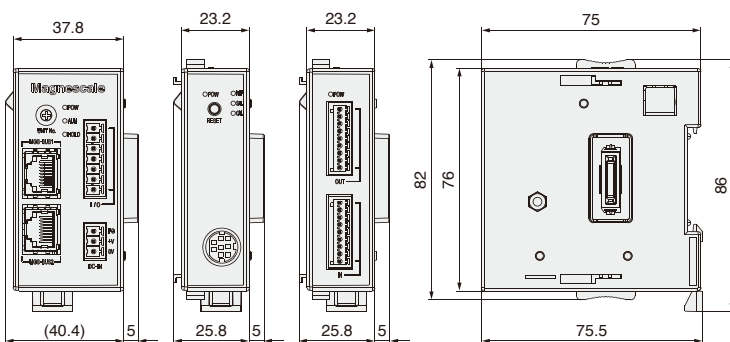
*1 Per each MG80-MA1/MA2. Total system maximum: (4) MG80-MA1/MA2, (32) MG80-CM, (8) LZ80-K
*2 Communication cables not included

Counter module	MG80-CM
Power consumption	2.0W or less (Measuring unit excluded)
Compatible measuring units	DK series, DT series (via MT)
Alarm	Frequency response exceeded, Measuring unit not connected, Broken connection

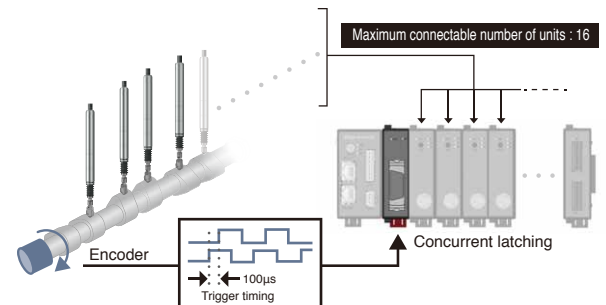
I/O module	LZ80-K1/LZ80-K2
Power consumption	2.0W or less
I/O	9-pole connector x 2 Photo coupler insulated 8 input, 8 output LZ80-K1: Current Sink LZ80-K2: Current Source

LT80/MG80/LZ80	
Supply voltage	DC10.8 ~ 26.4V
Operating temperature/humidity range	0 ~ +50°C (No condensation)
Storage temperature/humidity range	-20 ~ +60°C (20 ~ 90%RH)

MG80-MA MG80-CM LZ80-K



Up to 16 channels can be measured at once in high-speed, dynamic applications, such as the run-out of a camshaft (High-speed latch module sold separately, coming soon)



△ To use this product safely, please read the instruction manual carefully and thoroughly prior to usage. •Magnescale reserves the right to change product specifications without prior notice.

Magnescale Co., Ltd.

International Sales Department : 3-1-4 Edagawa, Koto-ku, Tokyo 135-0051, Japan TEL. +81 (0)3-6632-7924 FAX. +81 (0)3-6632-7928
Magnescale Americas Inc. : 1 Technology Drive, Suite F217, Irvine, CA 92618, USA TEL. +1 (949) 727-4017 FAX. +1 (949) 727-4047
Magnescale Europe GmbH : Antoniusstrasse 14, 73249 Wernau, Germany TEL. +49 (0) 7153-934-291 FAX. +49 (0) 7153-934-299
Service & Parts : 45 Suzukawa, Isehara-shi, Kanagawa 259-1146, Japan TEL. +81 (0)463-92-2132 FAX. +81 (0)463-92-3090

<http://www.magnescale.com>

MAGNESCALE is a trademark or registered trademark of Magnescale Co., Ltd., Japan The contents of this literature are as of June, 2019
LT80-EA01C
C.1906.CB.500