

MERCURY

The highest Accuracy made Easy



MERCURY Arm is the result of over thirty years of experience in the manufacturing of high-end Articulated Arm. Further improved by new hardware and software solutions, this arm reaches a level of accuracy never seen before.

PERFECT BALANCE The MERCURY Arm is characterized by a completely new handling solution with an optimized mass counterbalance, making the arm very light in the hands and ensuring an immediate confidence.

HOME POSITION IN FRONT Thanks to the innovative counterbalance, the MERCURY Arm has a safe home position directly in front of the operator. To take the arm and to put it back has never been so quick and easy.

READY TO OPERATE The MERCURY Arm is designed to obtain the best performances with the best handling conditions. The arm can be placed directly on the supporting surface without fixation, or on a tripod, as preferred.

LARGE SOFTWARE SELECTION The MERCURY Arm keeps the compatibility with the main inspection software available.

OPTIONS

- Interchangeable probe
- Wireless configuration
- Electronic touch probe

MAIN FEATURES

- Measuring range of 1.3 and 1.8 m diameter
- High quality materials
- Temperature compensated

SPECIFICATIONS

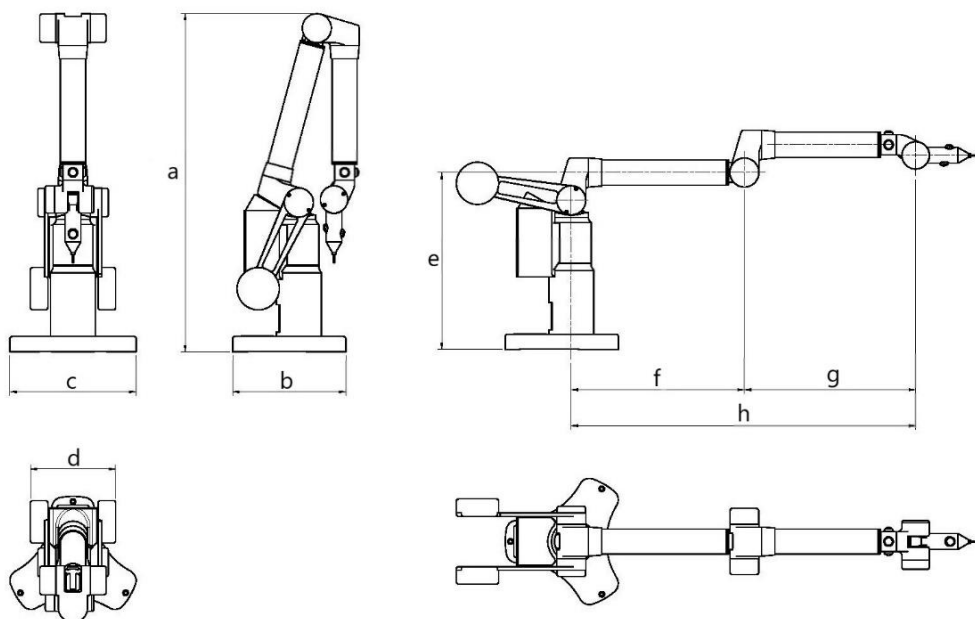
		Point Repeatability	Volumetric Accuracy	MPE _p	MPE _e
SPM6013	MERCURY 1300	0,010 mm	0,020 mm	0,008 mm	0,005 + L\50 < 0,015 mm
SPM6018	MERCURY 1800	0,012 mm	0,024 mm	0,008 mm	0,005 + L\40 < 0,018 mm

Any value in this table is reported as Maximum Permissible Error

MPE_p : is the Maximum Permissible Probing Error according to the ISO 10360-2 standard

MPE_e : is the Volumetric Length Measuring Error according to the ISO 10360-2 standard

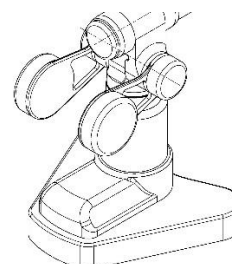
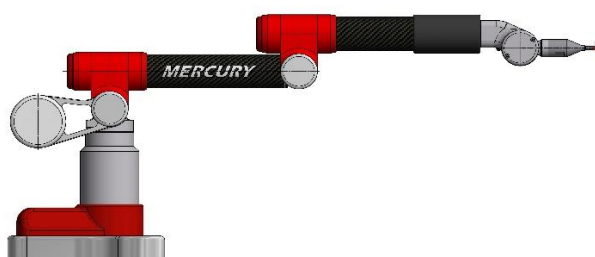
DIMENSIONS



	DIMENSIONS (mm)								WEIGHTS (kg)
	a	b	c	d	e	f	g	h	
1300	639	214	239	161	334	327	323	650	9.5
1800	760	214	239	175	334	452	448	900	10.4

TECHNICAL DATA

POWER SUPPLY	100-240V / 50-60 Hz
PROTECTION	IP 54
OPERATING CONDITIONS	+10° - +40° ; Humidity 90% without condensing
CONFORMITY	In compliance with CE



Designed and Manufactured in Italy