

SPEED X PRECISION

Multi-channel connection

Maximum: 85

High capacity and high speed data transmission

<Data transfer speed>
EtherNet/IP:10/100Mbps
PROFINET:100Mbps

Expanded fieldbus compatibility

Additional digital gauge interface options for popular PLC protocols

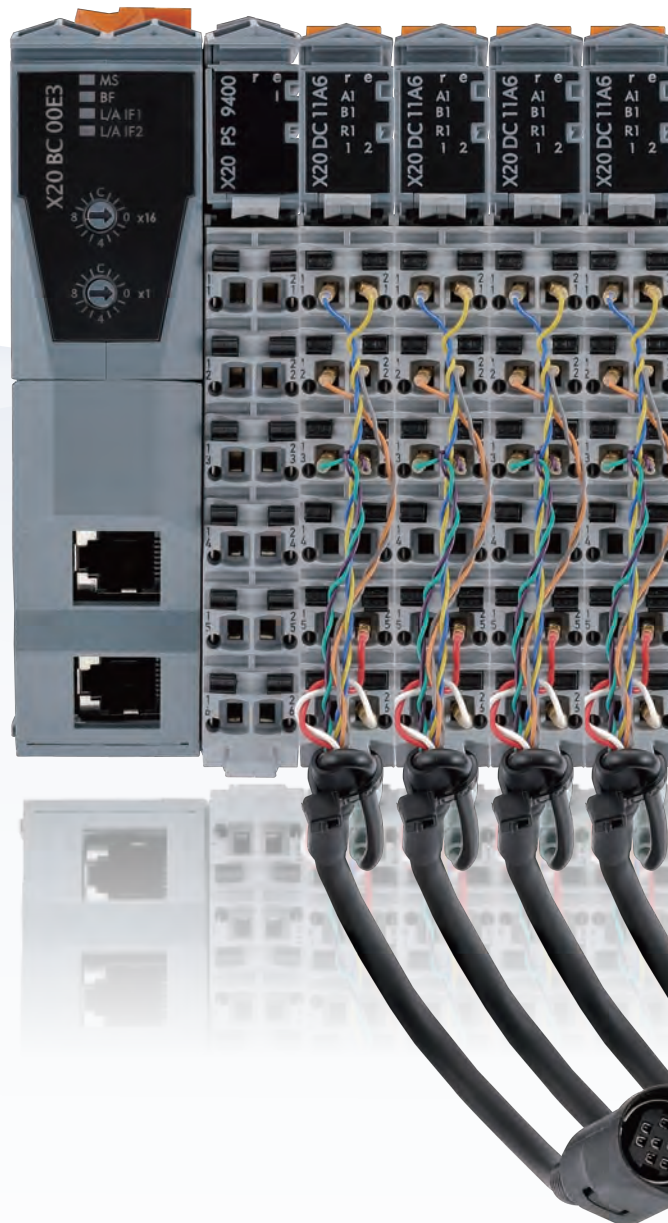
NEW

Main module

MG70

Counter module

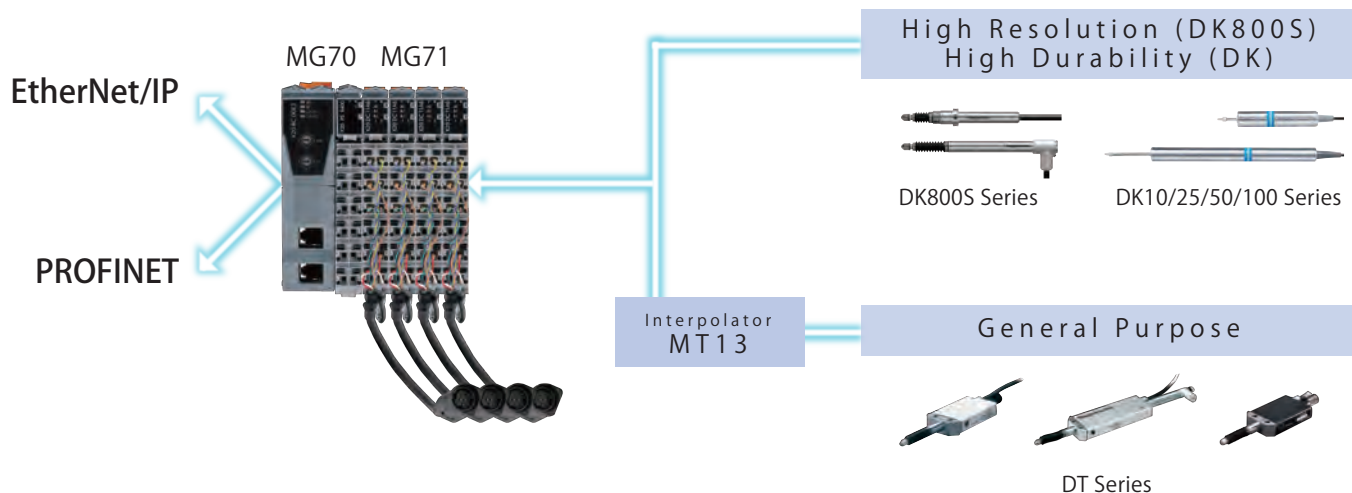
MG71



Actual size

EtherNet/IP
PROFINET

Configuration



Specifications

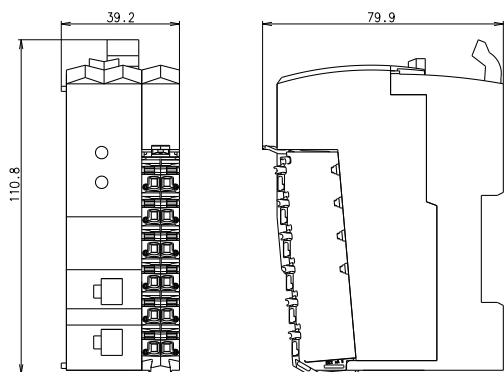
MG70 Series

Model Name	Main module		Counter module
	MG70-EI	MG70-PN	MG71-CM
Communication protocol	EtherNet/IP	PROFINET RT	Data transferred to main module by dedicated protocol
Data transfer speed	10/100Mbps	100Mbps	—
Maximum connectable counter modules	85 units*		—
Maximum connectable gauges	—		1 unit
Mounting method	35mm DIN rail mounting		
Power supply voltage	24V DC (20.4 to 28.8V DC)		
Power consumption	2W or less		1.01W or less
Cable length (Communication distance)	Segment length : Max. 100 m between two stations		—

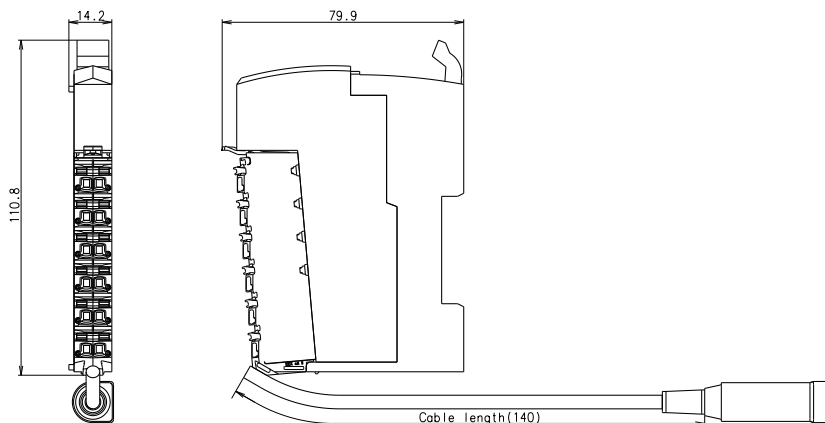
*This is the maximum number of connection when supplying power by one power supply module. Maximum of 250 units of MG71-CM can be connected by adding power supply modules. Please contact us for connection of MG71-CM more than 86 units.

Outside dimensions

Main module MG70-EI/MG70-PN



Counter module MG71-CM



⚠ Safety Precautions : To use this product safely, please read the instruction manual carefully prior to usage.

●Magnescale reserves the right to change products and specifications without prior notice

Magnescale Co., Ltd.

Headquarters : 45 Suzukawa, Isehara-shi, Kanagawa 259-1146, Japan
 International Sales Department : 45 Suzukawa, Isehara-shi, Kanagawa 259-1146, Japan
 Magnescale Americas Inc. : 1 Technology Drive, Suite F217, Irvine, CA 92618 USA
 Magnescale Europe GmbH : Antoniusstrasse 14, 73249 Wernau, Germany
 Service & Parts : 45 Suzukawa, Isehara-shi, Kanagawa 259-1146, Japan

TEL.+81 (0)463 92 1011 FAX.+81 (0)463 92 1012
 TEL.+81 (0)463 92 7971 FAX.+81 (0)463 92 7978
 TEL.+1 (949)727 4017 FAX.+1 (949)727 4047
 TEL.+49 (0)7153 934 291 FAX. +49(0)7153 934 299
 TEL.+81 (0)463 92 2132 FAX.+81 (0)463 92 3090

<http://www.magnescale.com>

The contents of this literature are as of Nov. 2016