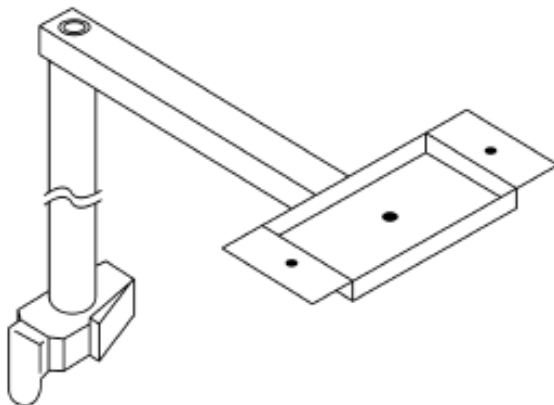
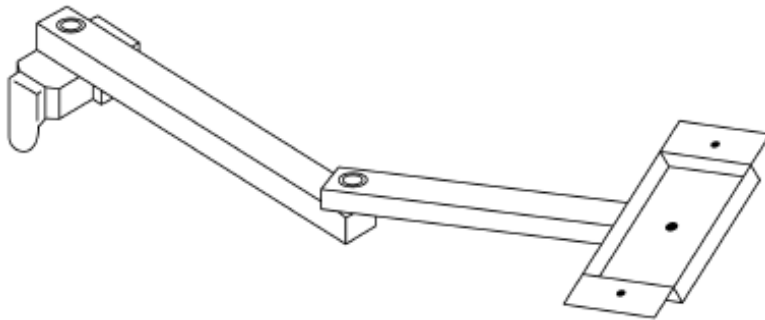
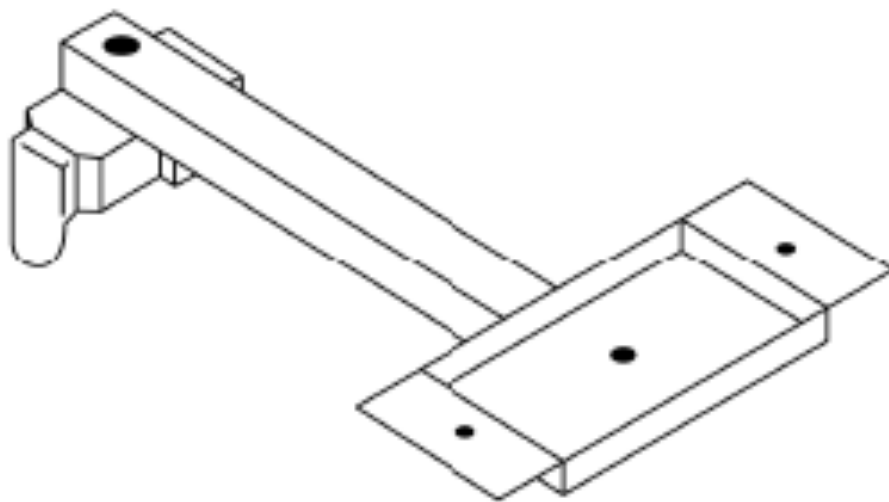
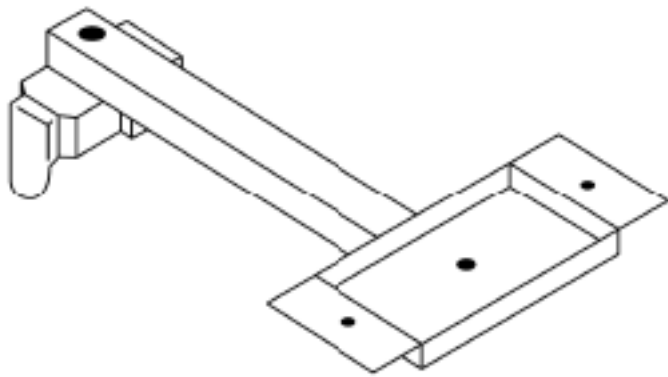


Magnescale

LZ series DRO mount

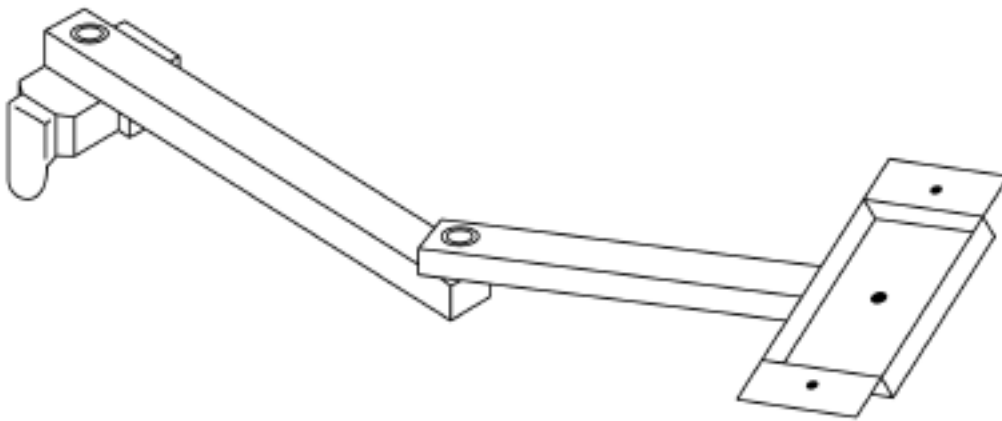
For Magnescale LG and LH series digital readout displays





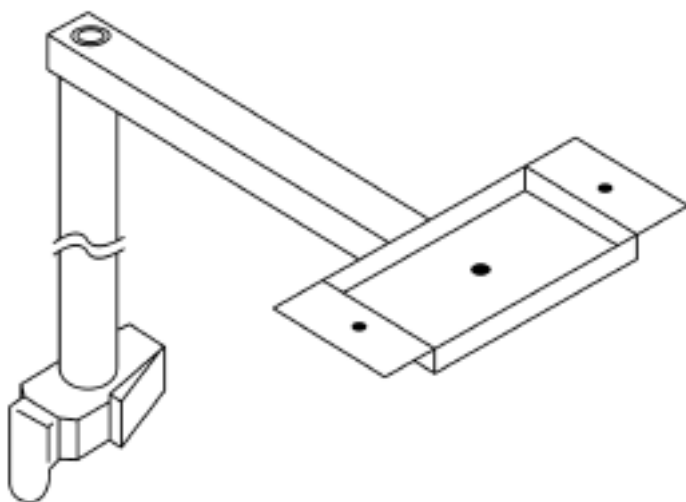
LZ 7

Page 3



LZ 8

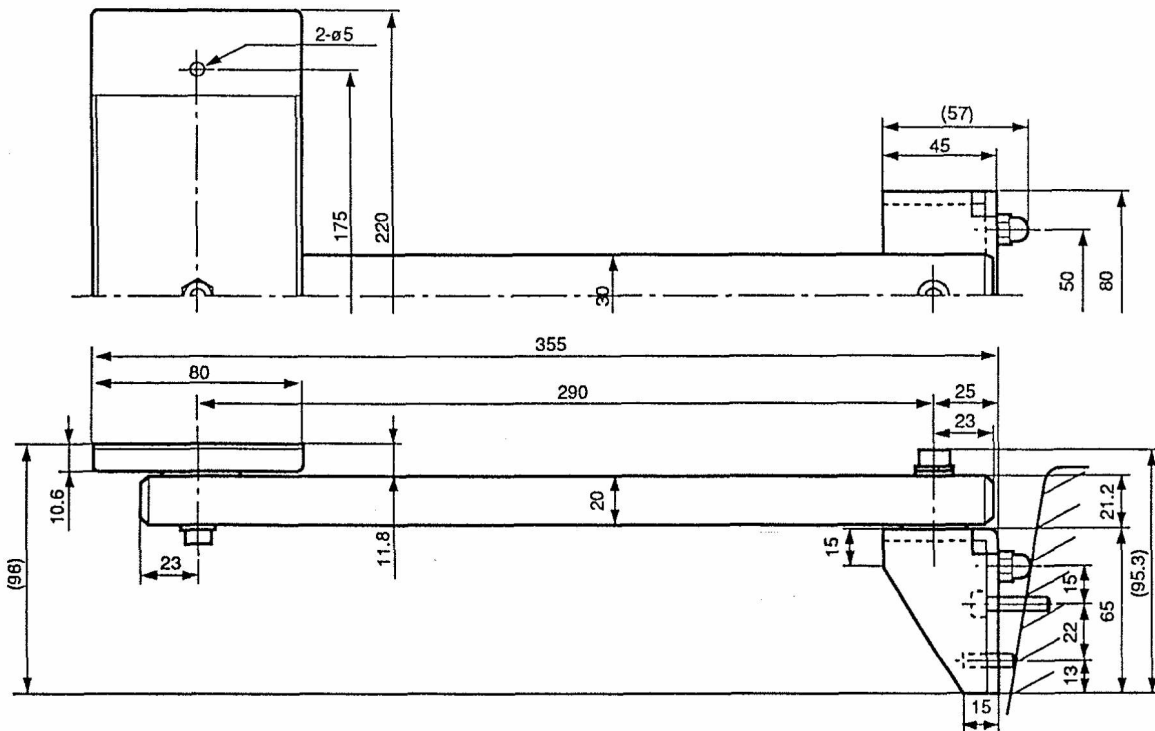
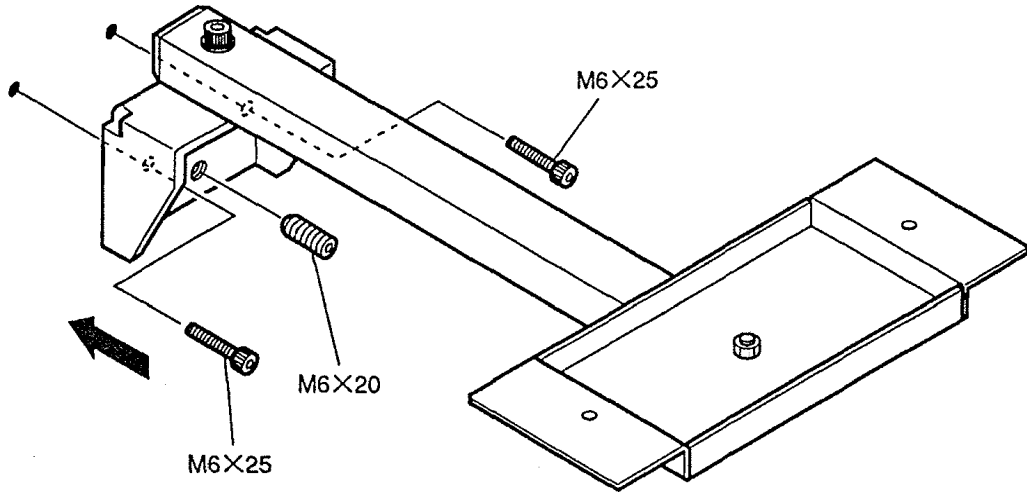
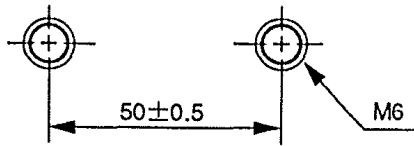
Page 4



LZ 9

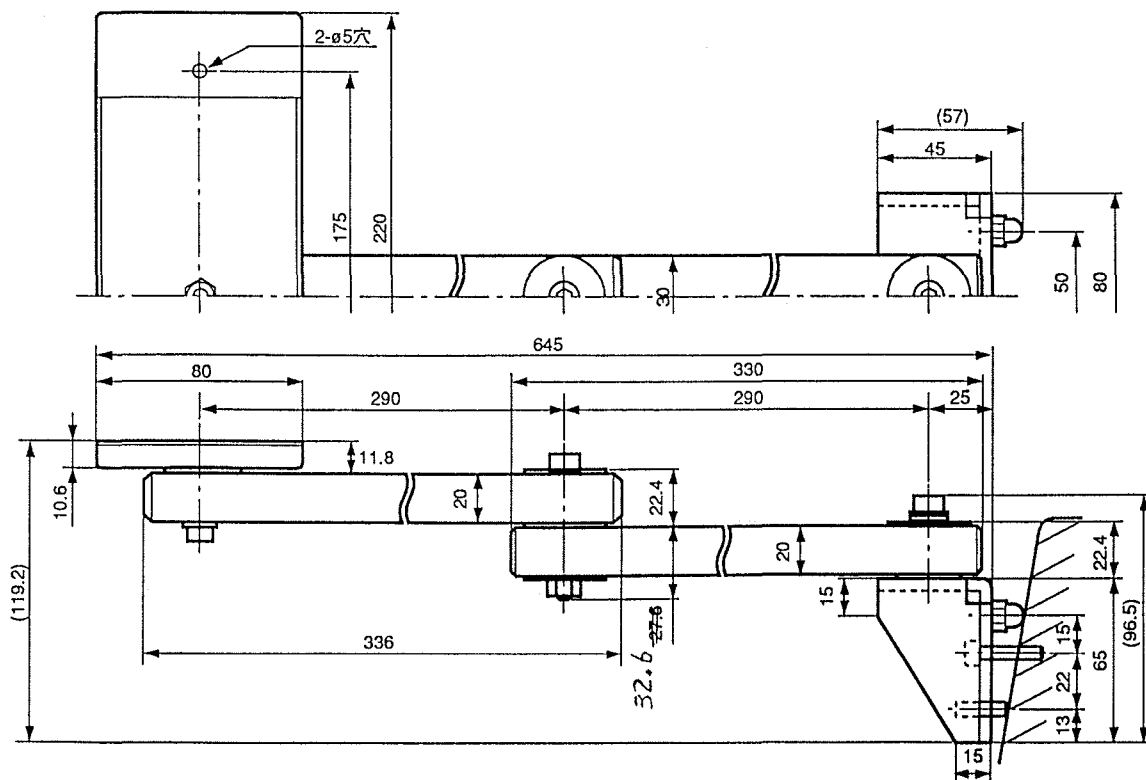
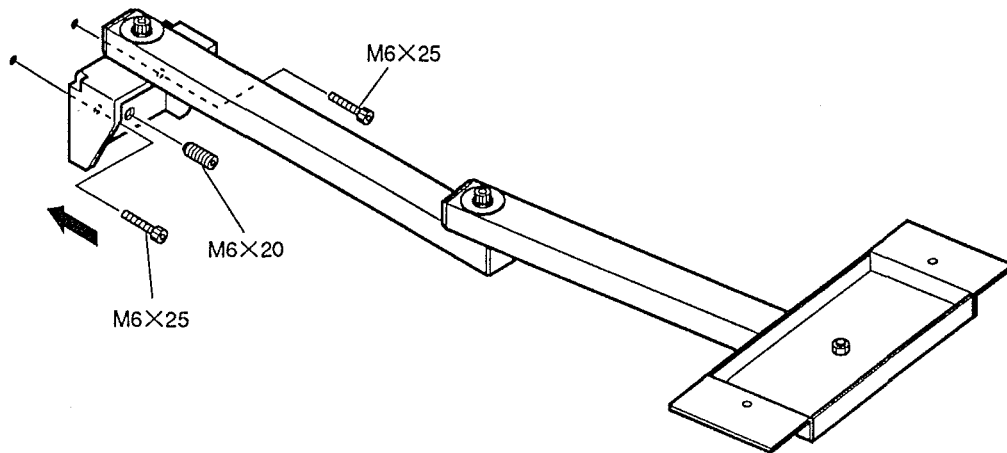
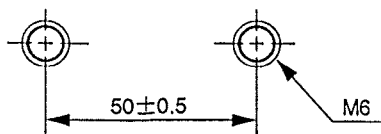
Page 5

LZ 7:



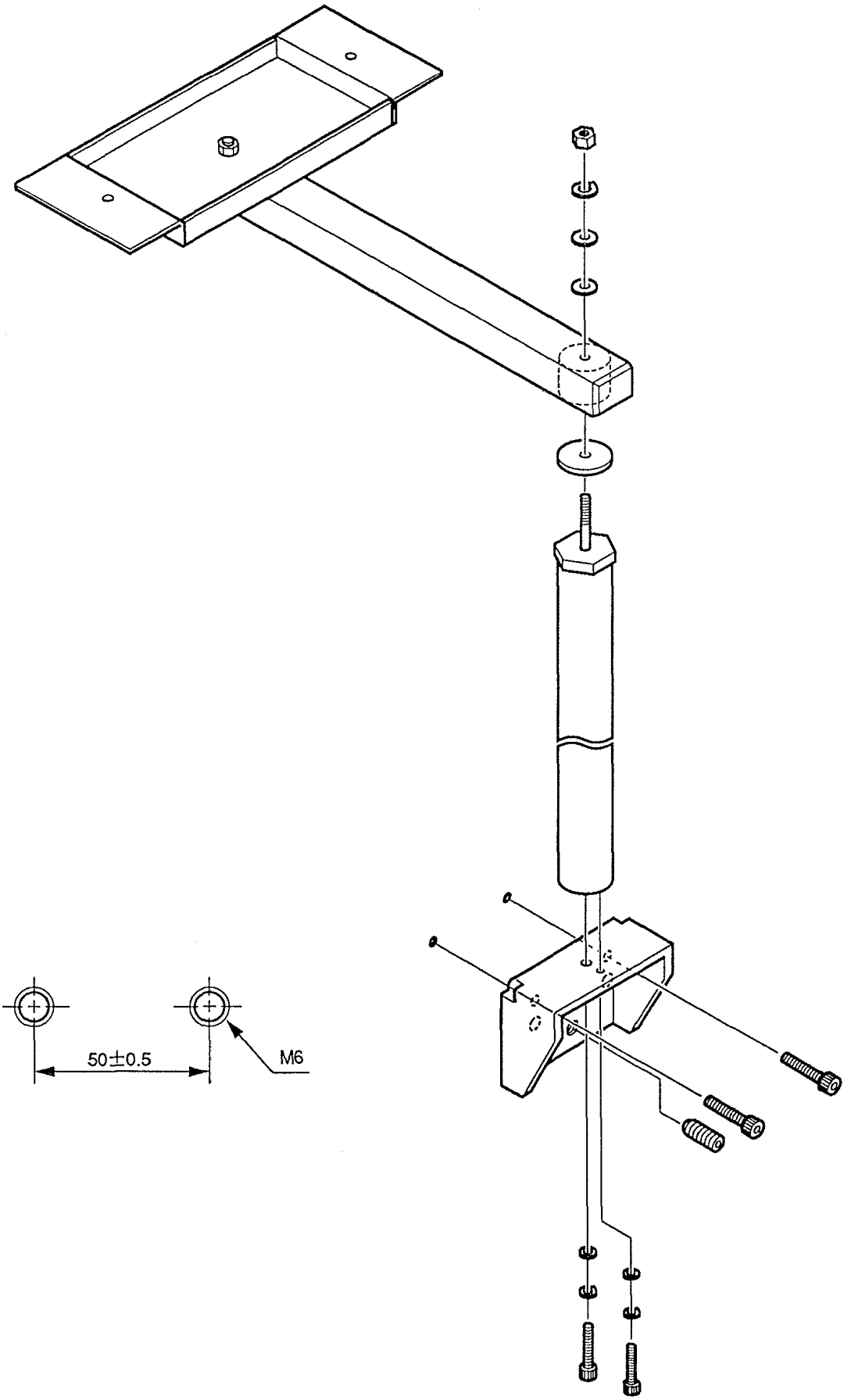
Weight: 1 kg

LZ 8:

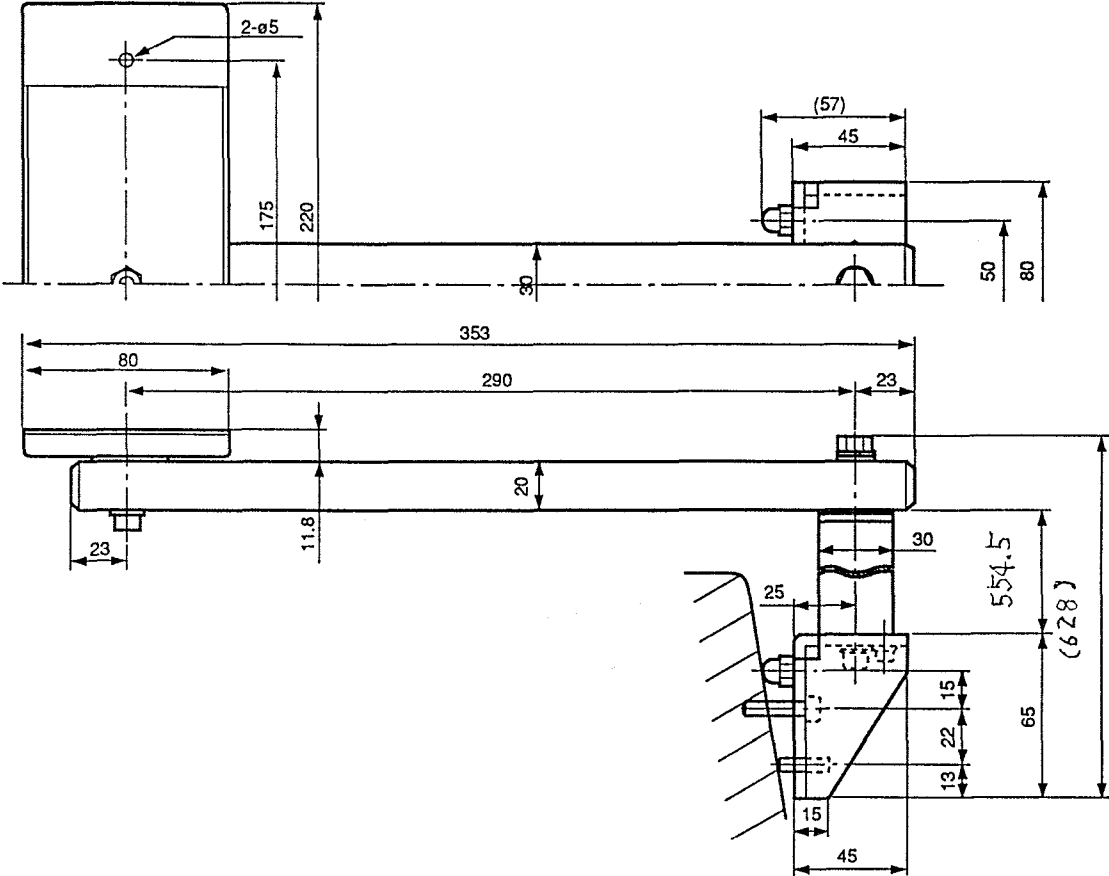


Weight: 1.5 kg

LZ 9:



LZ 9 (continued)



Weight: 2 kg



Innovative Measurement Technology Ltd

Unit 3E Vinnetrow Business Park
Vinnetrow Road, Chichester
West Sussex, PO20 1QH
United Kingdom

E-mail: sales@imeasure.co.uk
E-mail: support@imeasure.co.uk
Tel: +44 (0) 1243 942010

www.innovative-measurement-technology.co.uk

The contents of this literature are as of January 2023. Innovative Measurement Technology reserves the right to change product specifications without prior notice.