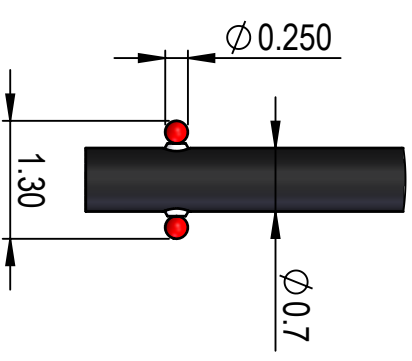
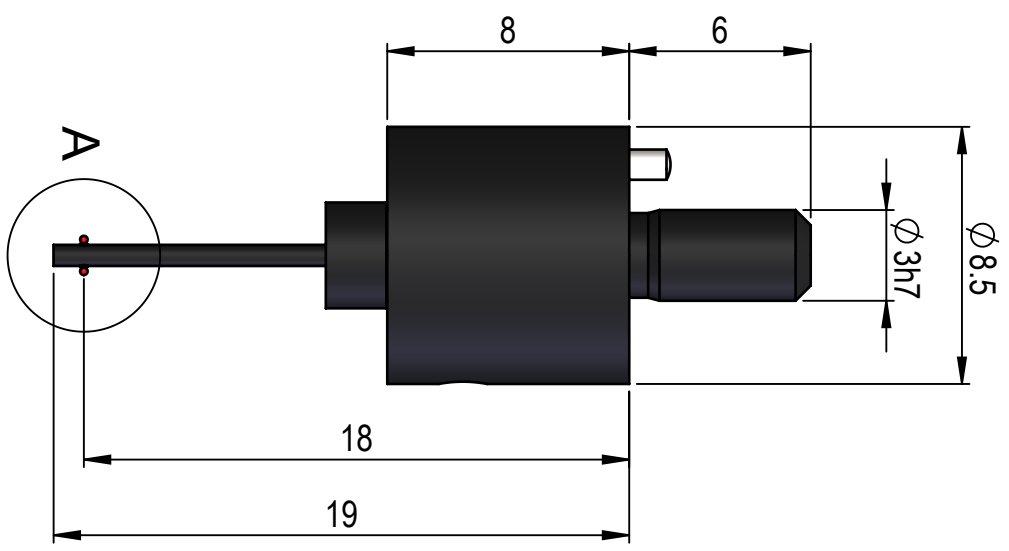
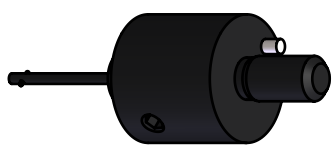


1 2 3 4 5 6



A (12 : 1)

(2:1)



Size 0-250 parallel

Scale  
4:1  
mm



D C B A