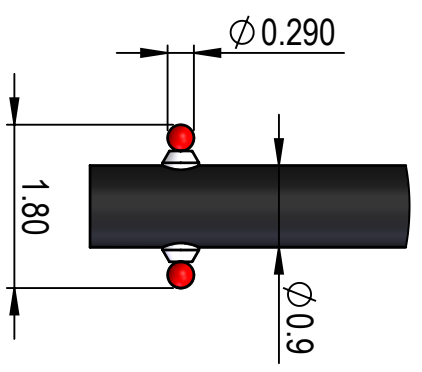
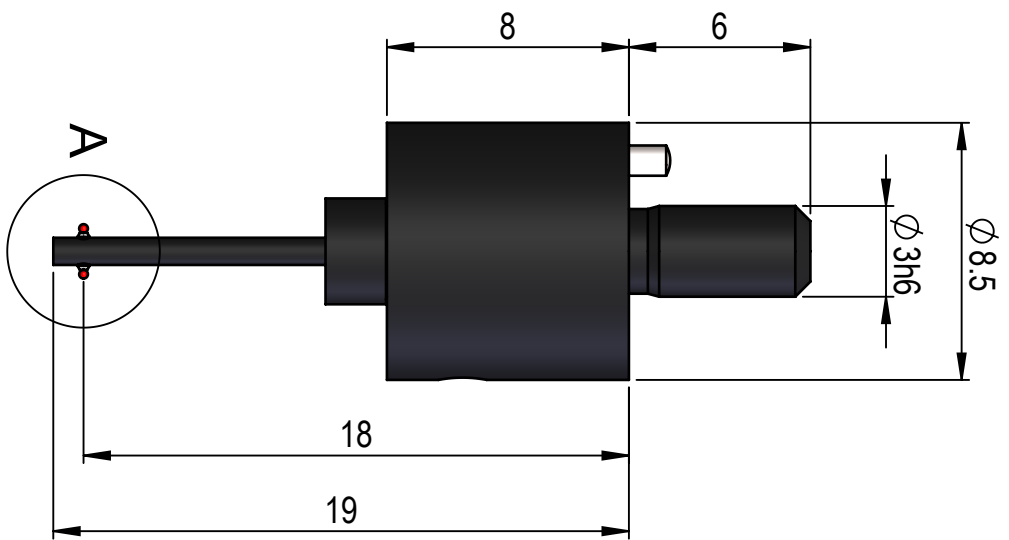
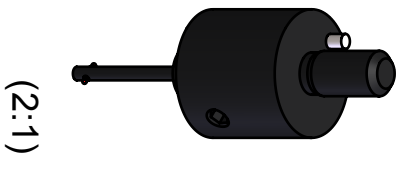


1 2 3 4 5 6



A (12 : 1)



(2:1)



Size 0-290 parallel

Scale  
4:1  
mm



D C B A D C B A D C B A