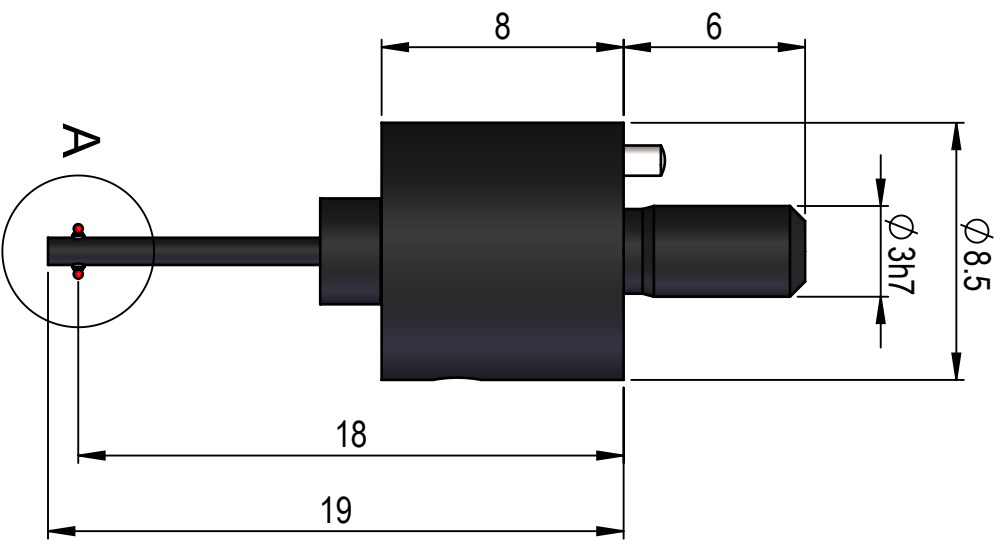
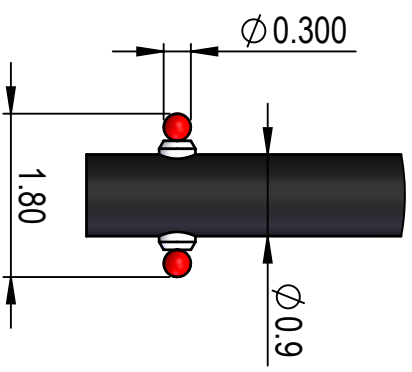


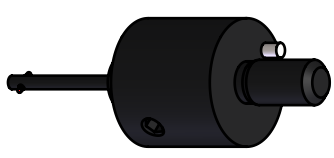
1 2 3 4 5 6



A (12 : 1)



(2:1)



Size 0-300 parallel

Scale
4:1
mm



1 2 3 4 5

D C B A

D C B A