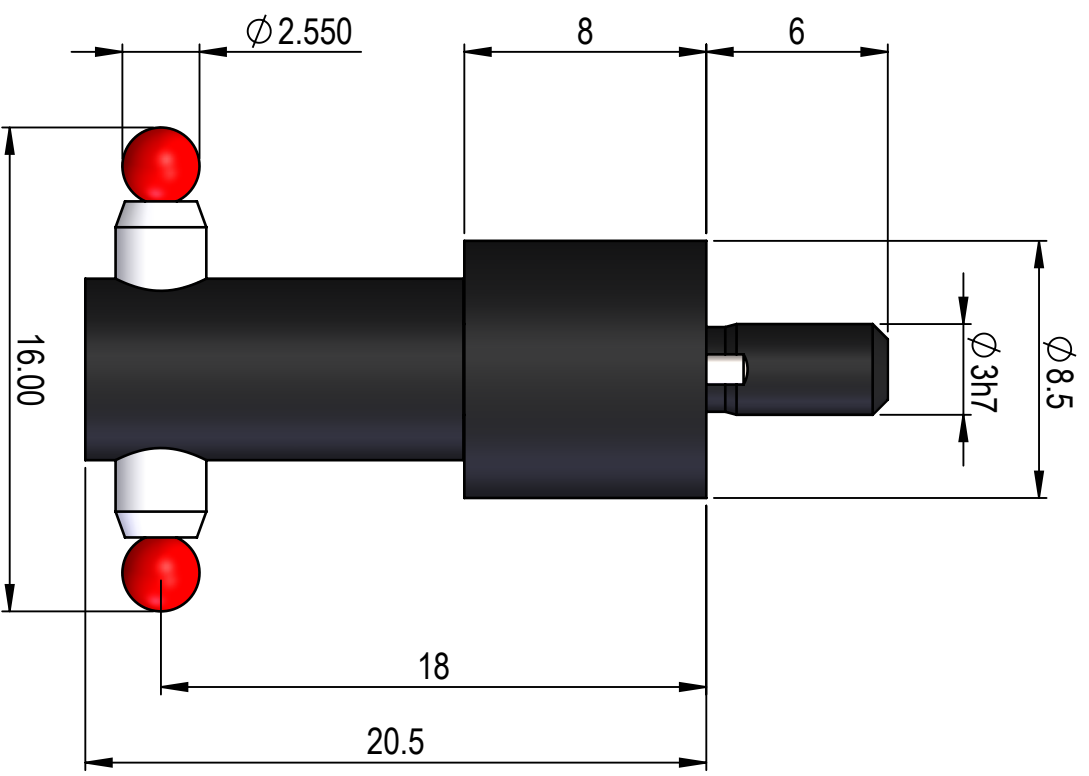


(2:1)



Size 10 90°

Scale
4:1
mm

